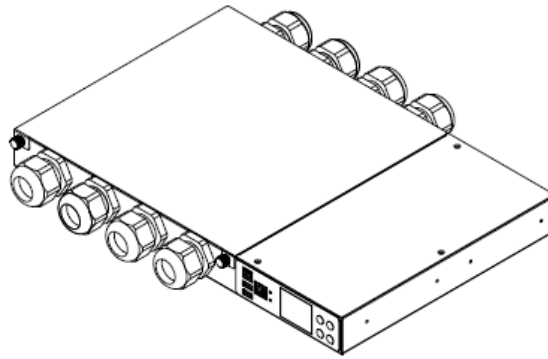


Technical Specifications / Engineering Submittals

Raritan Model Number: PX3-3420

rev20170831

LINE DRAWING



FEATURES

Energy Metering	Voltage (V), Current (A), Active Power (kW), Real Power (kVA), Energy (kWh), Power Factor
Metering Accuracy	ISO/IEC 62053-21 1%
Metering per Input Line	Yes
Metering per Branch Circuit Breaker	No
Metering per Output Receptacle	No
Remote Outlet Switching	No
Environmental Sensor Ready	Yes
Replaceable Controller	No
Compatible Sensors	Temperature, Humidity, Air Flow, Differential Pressure, Water Leak, and Contact Closure
Networking	Gigabit (10/100/1000 BaseT) Ethernet port; secondary, redundant (10/100 BaseT) Ethernet port. Optional WiFi (802.11a/b/g/n)
Remote Management	HTTP(s); SSH; Telnet; RS-232 (Serial); Power IQ; SNMP version v2/v3; SMTP; JSON-RPC
Cascading	Yes, Max 16 PDUs can be daisy chained using a single Ethernet or USB connection
Onboard Display	Color, matrix LCD display : Voltage, current, or active power (per line); Alarms; Configuration information (name, ratings, IP / Networking information)
Embedded Processor	ARM Cortex A5 536MHZ (Atmel A5D35A), 16MB SPI Flash, 64MB DDR2 RAM

Technical Specifications / Engineering Submittals

Raritan Model Number: PX3-3420

rev20170831

INPUT

Input Plug	AC Terminal (N/A)
Cord Length	N/A
Cord Entry	Rear feed
Cable Type	
Number of Power Cords	N/A
Maximum Input Current	32A
Nominal Input Voltage	208V
Rated Input Voltage	100 - 240V
Input Frequency	50/60Hz
Power Capacity	0.0kVA at 100V, 0.0kVA at 240V

OUTPUT

Nominal Output Voltage	208V
Rated Output Voltage	100 - 240V
Receptacles (Output Connections)	(4) AC Terminal, 32A
Securelock Support	No
Cord Retention	No
Overload Protection	N/A

PHYSICAL

Color	Black powder coat (custom colors available)
Unit Dimensions (WxDxH)	17.3" x 11.3" x 1.7" ; 440mm x 287mm x 44mm
Unit Weight	6.35 kg
Shipping Weight	6.75 kg
Shipping Dimensions (WxDxH)	18.5" x 11.02" x 22.05" ; 470mm x 280mm x 560mm
Mounting	RACK-KIT-PX-1U-P

Technical Specifications / Engineering Submittals

Raritan Model Number: PX3-3420

rev20170831

ENVIRONMENTAL

Operating Temperature	60°C
Operating Relative Humidity	85%
Operating Elevation	0-10000ft

CONFORMANCE

Regulatory Approvals	UL Listed and CE, Canada ICES-003, Part 15 Class A of the FCC rules, RoHS compliant
Warranty	Standard 2 years manufacturer warranty

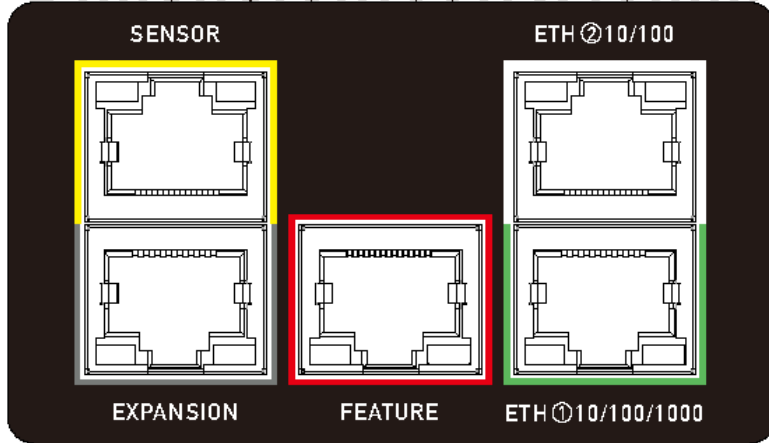
Technical Specifications / Engineering Submittals

Raritan Model Number: PX3-3420

rev20170831

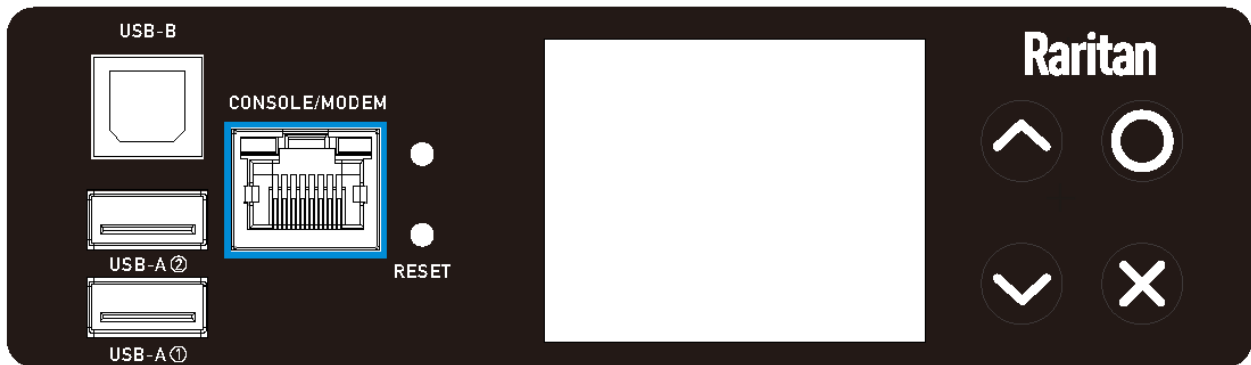
CONTROL PANEL

Dimension: 69.7x40mm



CONTROL PANEL2

Dimension: 139x40mm

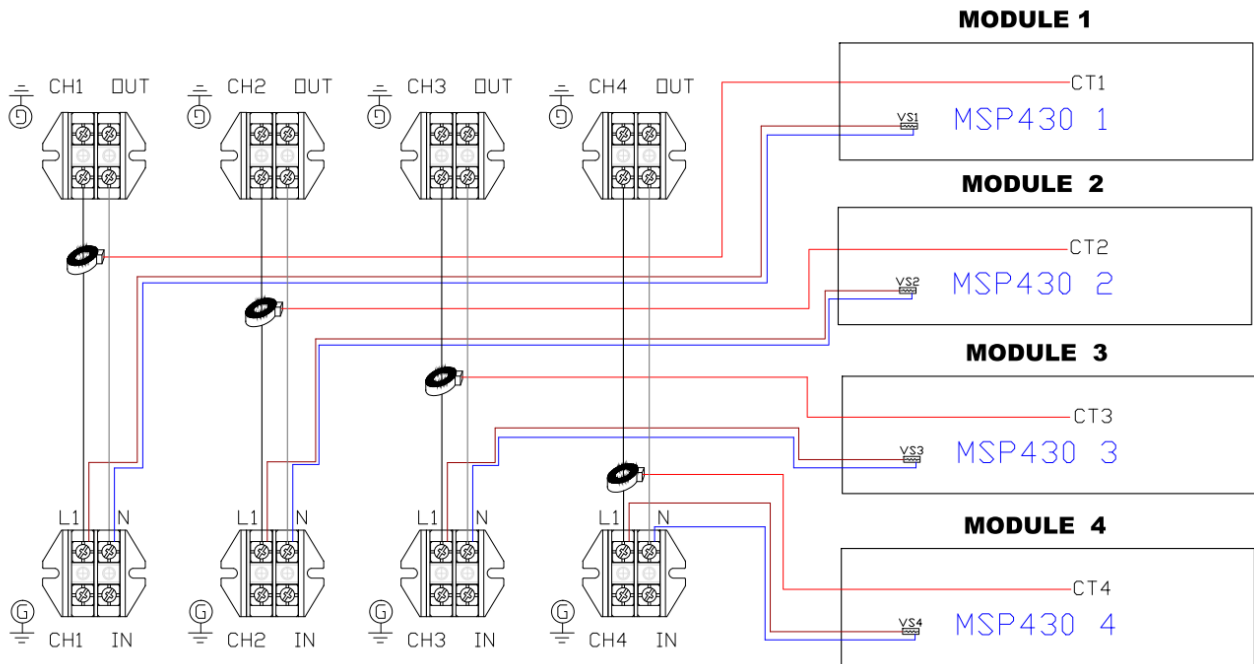


Technical Specifications / Engineering Submittals

Raritan Model Number: PX3-3420

rev20170831

ELECTRICAL (ONE LINE) DIAGRAM



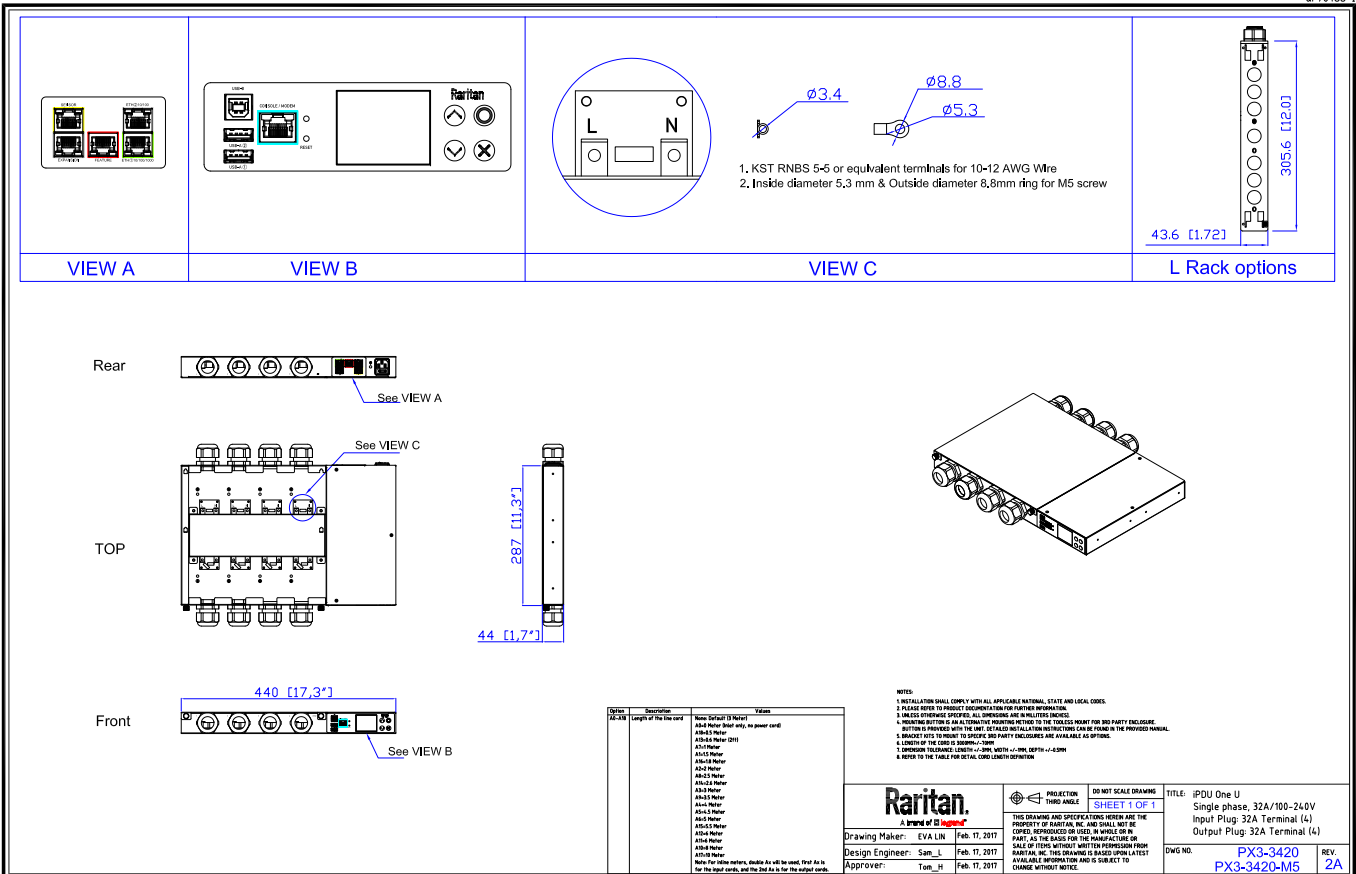
Technical Specifications / Engineering Submittals

Raritan Model Number: PX3-3420

rev20170831

MECHANICAL DIAGRAM

QF70455-1



Technical Specifications / Engineering Submittals

Raritan Model Number: PX3-3420

rev20170831

TRIP CURVE

This file generated on: Thu, August 31, 2017 - 21:15:17