

## Technical Specifications / Engineering Submittals

Raritan Model Number: PX3-4730-M5C6

rev20170831

### LINE DRAWING



### FEATURES

<b>Energy Metering</b>	Voltage (V), Current (A), Active Power (kW), Real Power (kVA), Energy (kWh), Power Factor
<b>Metering Accuracy</b>	ISO/IEC 62053-21 1%
<b>Metering per Input Line</b>	Yes
<b>Metering per Branch Circuit Breaker</b>	Yes
<b>Metering per Output Receptacle</b>	Yes
<b>Remote Outlet Switching</b>	No
<b>Environmental Sensor Ready</b>	Yes
<b>Replaceable Controller</b>	Yes
<b>Compatible Sensors</b>	Temperature, Humidity, Air Flow, Differential Pressure, Water Leak, and Contact Closure
<b>Networking</b>	(10/100 BaseT) Ethernet port. Optional WiFi (802.11a/b/g/n)
<b>Remote Management</b>	HTTP(s); SSH; Telnet; RS-232 (Serial); Power IQ; SNMP version v2/v3; SMTP; JSON-RPC
<b>Cascading</b>	Yes, Max 16 PDUs can be daisy chained using USB connection
<b>Onboard Display</b>	Color, matrix LCD display : Voltage, current, or active power (per line, per breaker, or per receptacle / outlet); Alarms; Configuration information (name, ratings, IP / Networking information); Auto-flip orientation
<b>Embedded Processor</b>	ARM9 400MHZ (Atmel SAM9G20), 16MB NOR Flash, 64MB SDRAM

## Technical Specifications / Engineering Submittals

Raritan Model Number: PX3-4730-M5C6

rev20170831

### INPUT

Input Plug	IEC 60309 3P+N+E 6h 32A (4P5W)
Cord Length	3 meters (9.84 feet) standard
Cord Entry	Bottom-front feed
Cable Type	IP44("splashproof")
Number of Power Cords	1
Maximum Input Current	32A
Nominal Input Voltage	400V 3 phase
Rated Input Voltage	380 - 415V 3 phase
Input Frequency	50/60Hz
Power Capacity	21.1kVA at 380V, 23.0kVA at 415V

### OUTPUT

Nominal Output Voltage	230V
Rated Output Voltage	220 - 240V
Receptacles (Output Connections)	(24) IEC320 C13, 10A (12) IEC320 C19, 16A
Securelock Support	Yes
Cord Retention	Yes
Overload Protection	(6) LEGBXA6-16

### PHYSICAL

Color	Black powder coat (custom colors available)
Unit Dimensions (WxDxH)	2.1" x 2.6" x 70.1" ; 52mm x 65mm x 1780mm
Unit Weight	6.8 kg
Shipping Weight	9.2 kg
Shipping Dimensions (WxDxH)	11.22" x 4.53" x 75.39" ; 285mm x 115mm x 1915mm
Mounting	Tool-less button mount

## Technical Specifications / Engineering Submittals

Raritan Model Number: PX3-4730-M5C6

rev20170831

### ENVIRONMENTAL

---

Operating Temperature 60°C

---

Operating Relative Humidity 85%

---

Operating Elevation 0-10000ft

---

### CONFORMANCE

---

Regulatory Approvals CE, Canada ICES-003, Part 15 Class A of the FCC rules,  
RoHS compliant

---

Warranty Standard 2 years manufacturer warranty

---

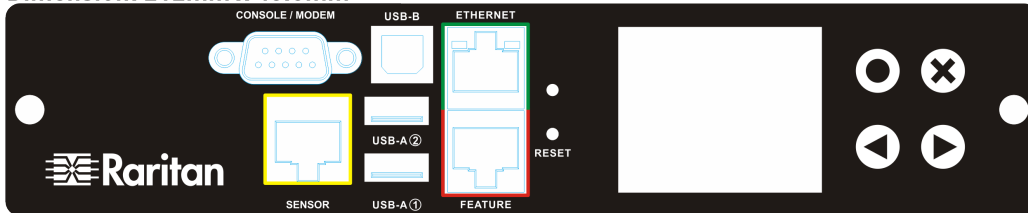
## Technical Specifications / Engineering Submittals

Raritan Model Number: PX3-4730-M5C6

rev20170831

### CONTROL PANEL

Dimension: 212mm x 43.5mm

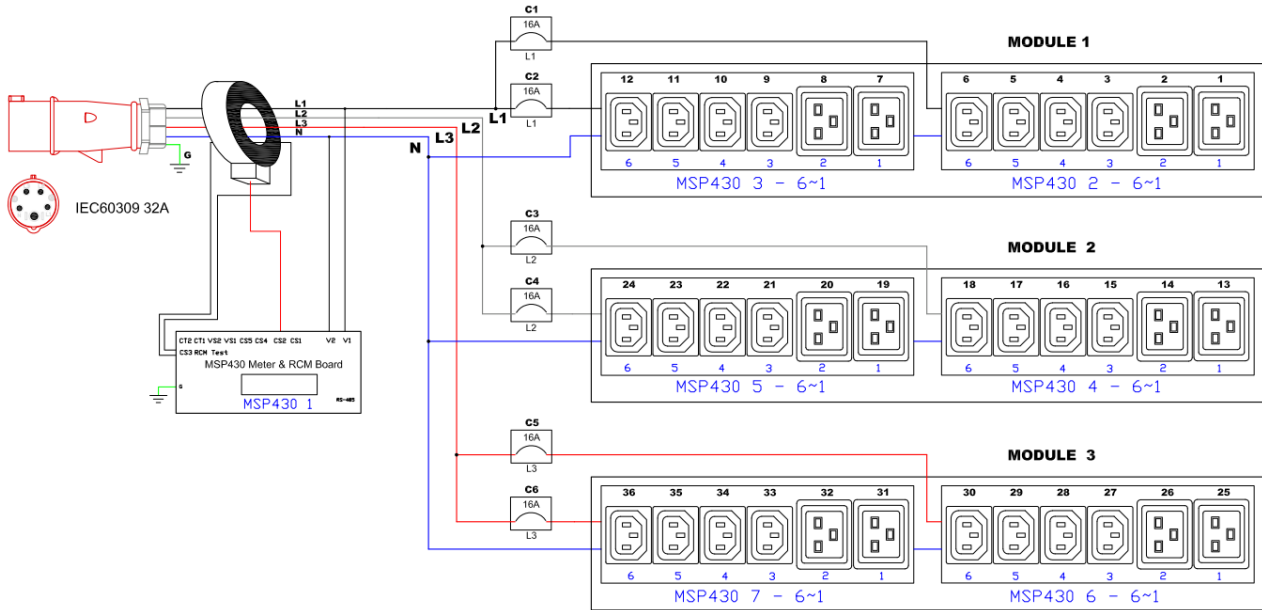


## Technical Specifications / Engineering Submittals

Raritan Model Number: PX3-4730-M5C6

rev20170831

### ELECTRICAL (ONE LINE) DIAGRAM

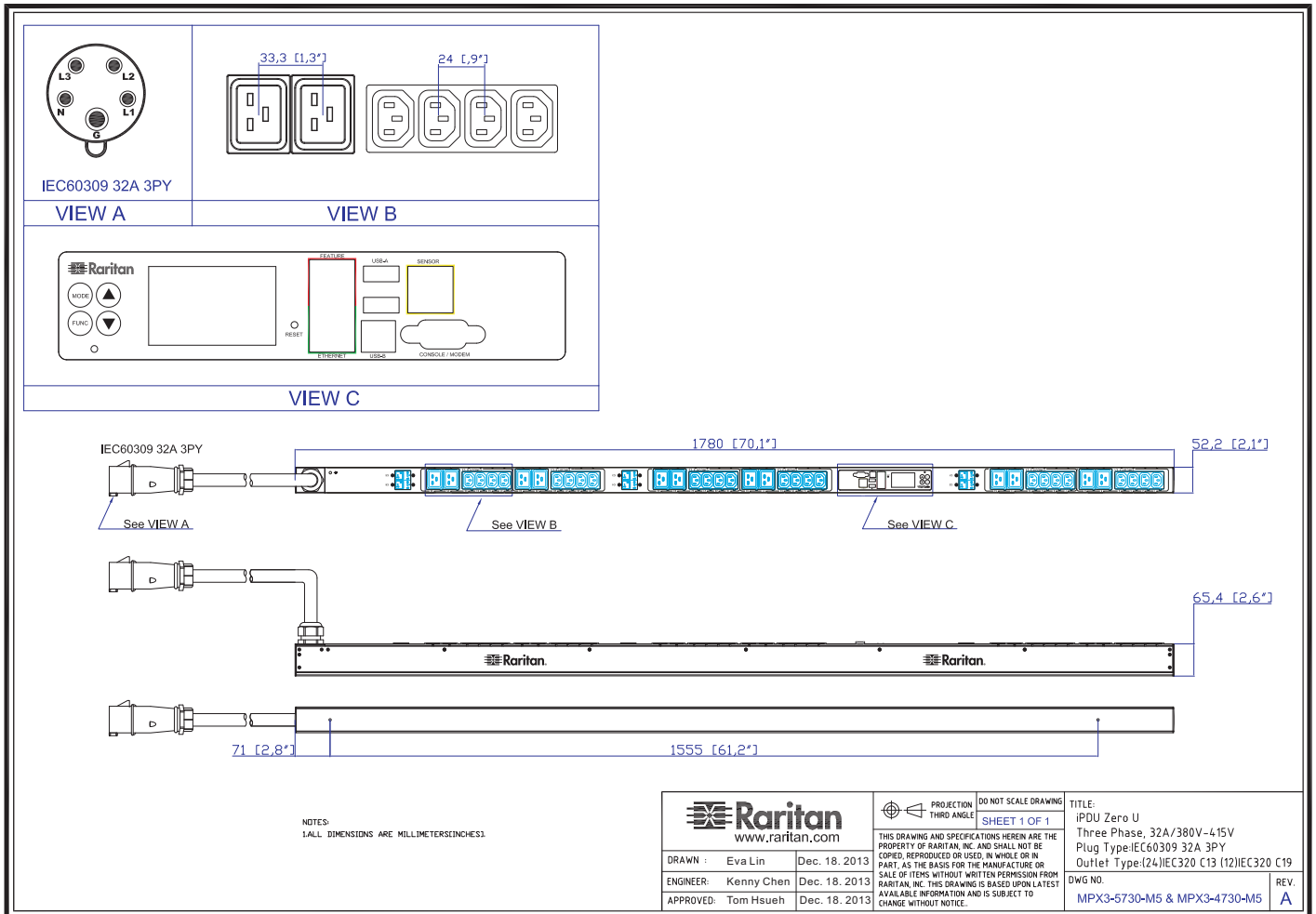


## Technical Specifications / Engineering Submittals

Raritan Model Number: PX3-4730-M5C6

rev20170831

### MECHANICAL DIAGRAM

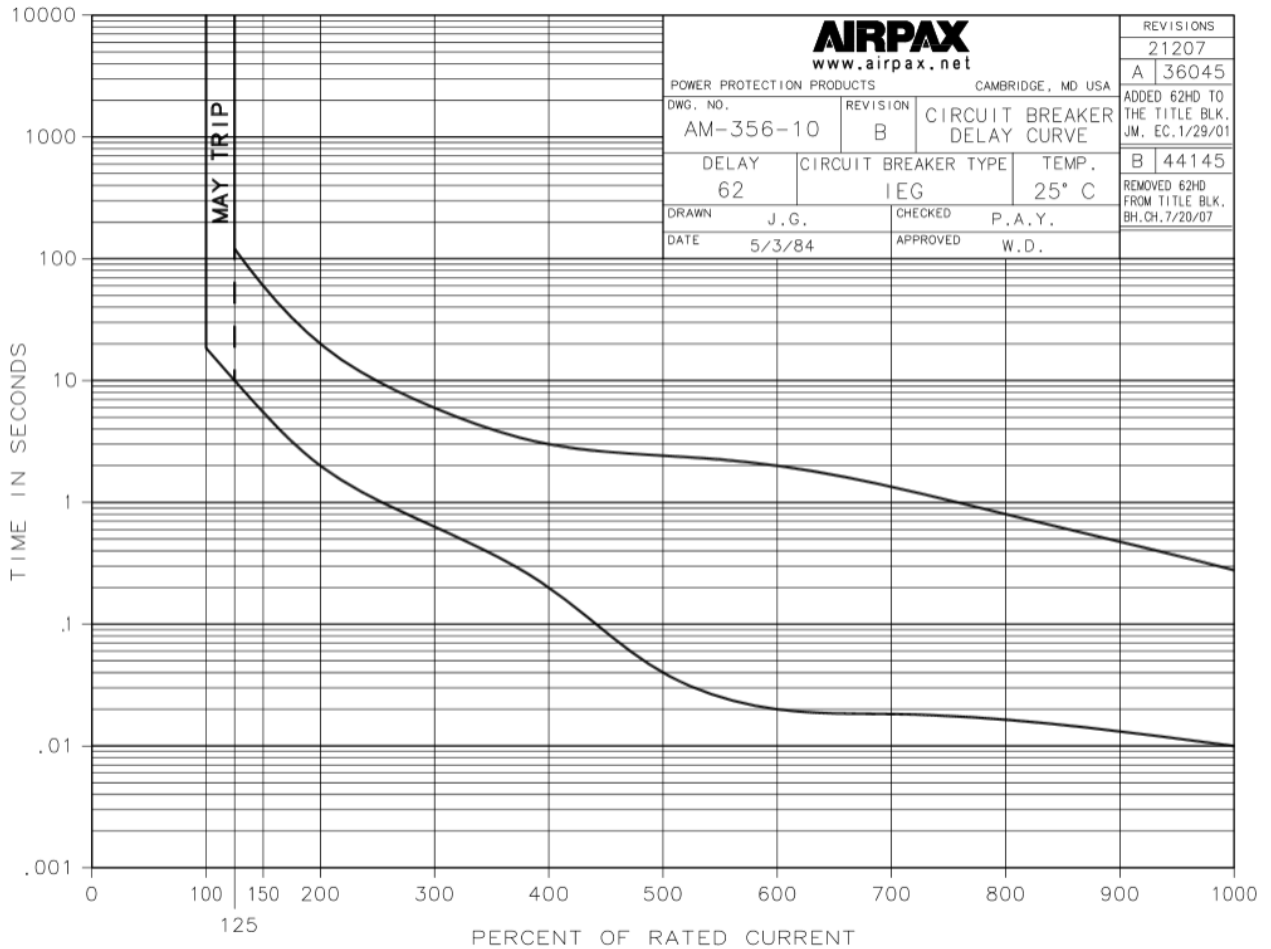


## Technical Specifications / Engineering Submittals

Raritan Model Number: PX3-4730-M5C6

rev20170831

### TRIP CURVE



C-1009-1 5/98 32556

This file generated on: Thu, August 31, 2017 - 21:24:54